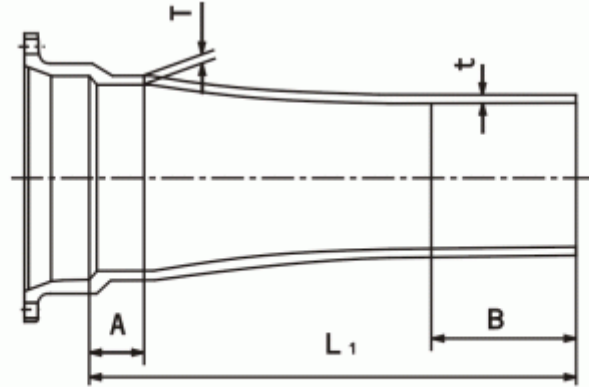
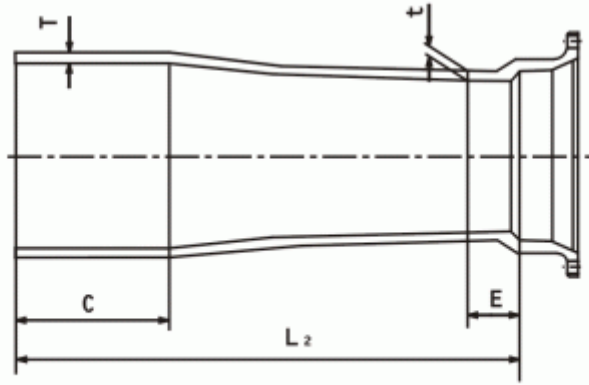




●Type A Taper



■承插式縮管 Socket



■插承式縮管 Spigot

Unit: mm

Nominal size		Thickness		Dimensions					Weight (kg)		Nominal size		Thickness		Dimensions			Weight (kg)	
D	d	T	t	A	B	C	E	L ₁	L ₂	Socket	Spigot	D	d	T	t	C	E	L ₂	Spigot
100	75	8.5	8.5	50	200	200	50	550	550	15.8	15.1	400	150	14.0	11.0	220	55	775	76.8
150	100	9.0	8.5	55	200	200	50	555	550	22.1	21.3	400	200	14.0	11.0	220	60	780	84.3
200	100	11.0	10.0	60	200	200	50	560	550	29.8	28.2	400	250	14.0	12.0	220	70	790	94.4
200	150	11.0	11.0	60	200	200	55	560	555	35.4	34.1	400	300	14.0	12.5	220	80	800	104.0
250	100	12.0	10.0	70	200	200	50	670	650	40.5	38.0	400	350	14.0	13.0	220	80	800	119.0
250	150	12.0	11.0	70	200	200	55	670	655	47.2	45.0	450	200	14.5	11.0	230	60	790	95.5
250	200	12.0	11.0	70	200	200	60	670	660	52.9	52.0	450	250	14.5	12.0	230	70	800	105.0
300	100	12.5	10.0	80	200	200	50	680	650	48.2	44.4	450	300	14.5	12.5	230	80	810	115.0
300	150	12.5	11.0	80	200	200	55	680	655	54.7	51.3	450	350	14.5	13.0	230	80	810	129.0
300	200	12.5	11.0	80	200	200	60	680	660	60.3	58.1	500	250	15.0	12.0	230	70	800	116.0
300	250	12.5	12.0	80	200	200	70	680	670	68.4	67.1	500	300	15.0	12.5	230	80	810	125.0
350	150	13.0	11.0	80	200	200	55	680	655	66.9	58.4	500	350	15.0	13.0	230	80	810	139.0
350	200	13.0	11.0	80	200	200	60	680	660	72.3	65.0	600	300	16.0	12.5	230	80	810	150.0
350	250	13.0	12.0	80	200	200	70	680	670	80.2	73.8	600	350	16.0	13.0	230	80	810	163.0
350	300	13.0	12.5	80	200	200	80	680	680	87.7	82.5								

Note: Socket of 400mm and 600mm are K Type.